



**Mark II Dynaswitch RJ-45  
Gig-E A/B Switch Module**

**Mark II Dynaswitch®  
Gigabit Ethernet RJ-45 A/B Switch Module**

- **Specifically designed to support Gigabit Ethernet**
- **2 A/B switched ports per switching module**
- **8-Wire RJ-45 Interface supported**
- **Rack Mount Modular Design (4 U high, 16 modules)**
- **Remotely managed via Ethernet or serial port**

The Dynetcom RJ-45 Gigabit Ethernet A/B patch/switch module from NSGDatacom is designed to enable automatic remote control switching between two primary RJ-45 ports (Active Loop) and two alternate RJ-45 ports (Back-up Loop) for the purposes of communication link restoration, system back up, and alternate routing.

The module is specifically designed to support Gigabit Ethernet and can also be used for other high speed data circuits. The dual port module contains two bank-switched RJ-45 ports per card, each supporting a full compliment of eight electrical circuits. The complete swap-out of a device with two RJ-45 connections (such as a single port router or modem) can, therefore, be accomplished with a single card (see Typical Application diagram on page 2) . Switching can be accomplished locally using a toggle switch on the front of the unit, remotely over a dedicated serial link, or though an IP network (such as the Internet).

Up to 16 modules can be accommodated in a single chassis to allow simultaneous bank-switching of multiple units or ports with the single flick of a switch or a simple mouse click. Multiple chassis can be linked together for larger bank-switched applications.

In common with all the Dynetcom line A/B patch/switch modules, the RJ-45 switching module features latching relays for clean physical-level switching and position retention in the event of power loss.

The RJ-45 patch/switch module supports mixing and matching of interfaces on one card to fit custom requirements including Gigabit Ethernet, 10/100/1000 Base T Ethernet, T1/E1, RS232/EIA 561, and all Dynetcom CPX switching products that use RJ-45 port connectors.

The RJ-45 module is managed via the new Dynetcom Marc-12 controller through its Ethernet or serial port connection, using HTTP, SNMP, or Telnet. If you are currently using the Marc-10, Marc-11, or Darc controllers, it will also manage the RJ-45 switching module through its serial port connection or Dynabus DB37 connector.

Due to it's high speed signal capabilities the Dynetcom Line Activity Scanner (LAS) card option is not available for this module.



*Communication solutions from*  
**NSGDatacom**  
*extend. evolve. innovate.*

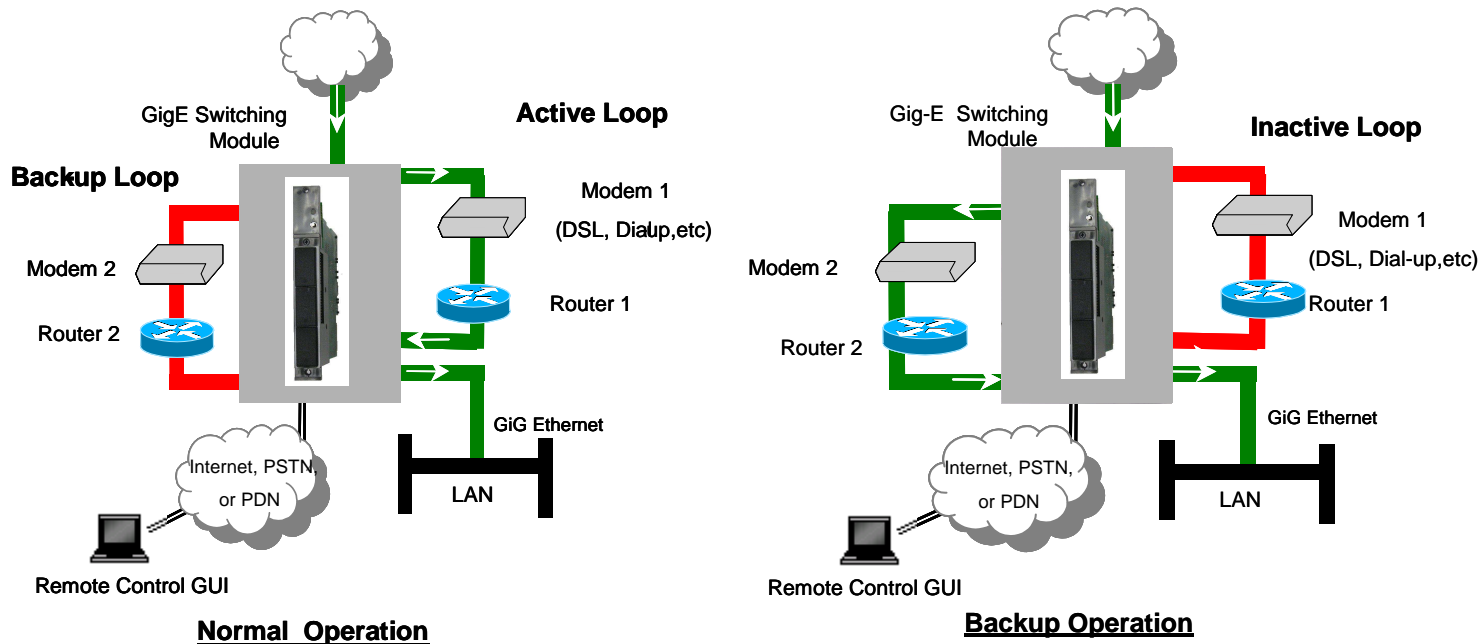


# Mark II Dynaswitch RJ-45 Gig-E A/B Switch Module

# Mark II Dynaswitch Gigabit Ethernet RJ-45 A/B Switch Module

## Typical Application

The Gigabit Ethernet RJ-45 patch/switch module is ideal for applications that require a physical back-up for two port devices. The two bank-switched connections on a single module allow it to completely switch over a unit from Active Loop to Back-up Loop with a single action.



## Product Specifications

### Physical Interfaces

RJ-45 x 6 (Switching Card)  
Ethernet Control Port RJ-45 (Control Card)  
Serial RS-232 Control Port DB-9 (Control Card)

### Electrical Interface Supported (Switching Card)

Gigabit Ethernet  
RS-232-D/ITU V.24  
Dynetcom CPX Sync/Async  
10/100/1000 Base T Ethernet  
T1/E1/ISDN  
G.703 (BNC)

### Physical

This modules fits into the RJ-45 specific Rack Adaptors for RA-5,6,10, and 11 RJ-45  
Redundant power supply available

### Power Requirements

1A @ 110V, 0.5A @ 230V  
Auto Sensing Power supply 90V to 250VAC

# NSGDatacom

[www.nsgdata.com](http://www.nsgdata.com)

3863 Centerview Drive  
Chantilly, VA, 20151-3232 USA  
Phone: +(1) 703 793 2000  
Fax: +(1) 703 793 2001

7435 New Technology Way  
Frederick, MD, 21703 USA  
Phone: +(1) 301 662 5926  
Fax: +(1) 301 694 6279

The Brackens, London Road  
Ascot, Berkshire SL5 8BE, UK  
Phone: +(44) 1344 893 000  
Fax: +(44) 1344 891 990