



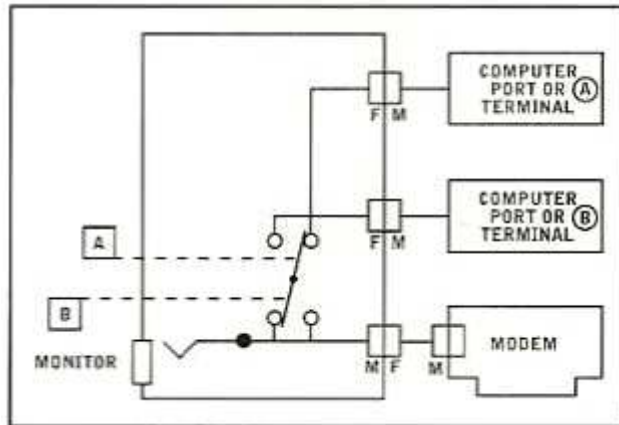
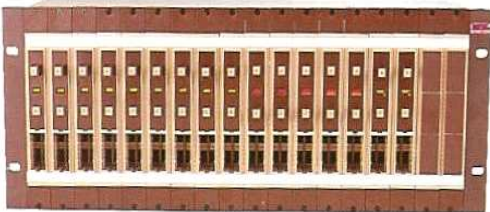
**Mark II Dynaswitch®  
Manually Operated  
A/B Switch**

**Mark II Dynaswitch®  
Manually Operated A/B Switches**

- **Very highest standards of durability and longevity**
- **Rack Mount Modular Design**
- **Up to 18 channels**
- **Pre-configured Paks available**
- **Stand alone version available**
- **V.24 interface support**

Dynetcom's Dynaswitch® range of manually operated fallback switches offers a low cost alternative to the electro-mechanical solutions where cost is a major issue or where manual switching is deemed to be the preferred solution. The manually operated A/B switch comes in two versions; a rack mount or a standalone, desktop version. The rack mount version holds up to 18 A/B switch modules in a 4U(7") high chassis for network applications. It is available in pre-configured Paks or can be customized by ordering individual components. The stand alone, desk top, version (in a metal case) is for small single switching applications such as printer sharing.

- Standard rackmount and standalone versions comes with 1 male DB25 connector for the DCE connection and 2 female DB25 connectors for the DTE A and the DTE B connections respectively
- Rackmount and standalone versions come with 3 female DB25 connectors (optional)



**Typical A/B Switch Operation**  
Allowing either two computer ports or terminals to be switched to a modem

*Communication solutions from*

**NSGDatacom**

*extend. evolve. innovate.*



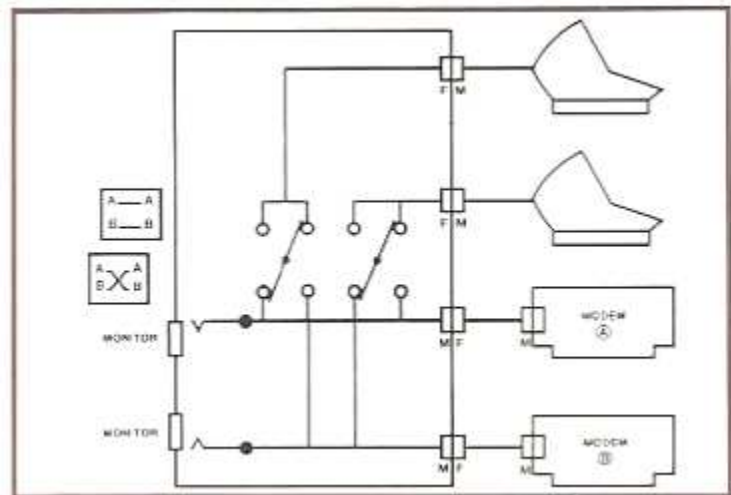
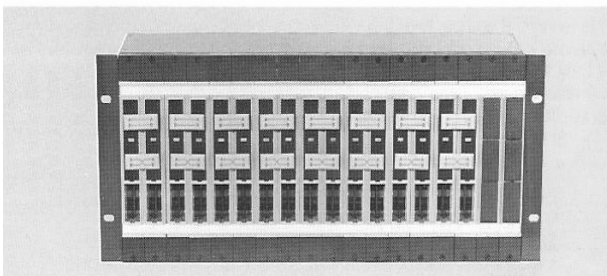
**Mark II Dynaswitch®  
Manually Operated  
A/B Switch**

**Mark II Dynaswitch®  
Manually Operated Cross Over A/B  
Switches**

- **Rack Mount Modular Design**
- **Up to 18 Channels**
- **Pre-configured Paks available**
- **Stand alone Version available**
- **V.24 Interface supported**

Dynetcom's Dynaswitch® range of manually operated cross over switches allows either two computer ports or terminals and two modems to be crossed over. The manually operated cross-over switch comes in two versions; a rack mount and a standalone version. The rack mount version holds up to 9 cross over switch modules in either a 3U(5¼) high chassis or a 4U(7") high chassis using EPE-0 jack extenders for multiple applications. It is available in pre-configured Paks or can be customized by ordering individual components. The stand alone, desk top, version (in a metal case) is for small single cross over switching applications.

- The rackmount and standalone versions come with 2 male DB25 connector for the DCE connection and 2 female DB25 connectors for the DTE connections respectively



**Typical Cross Over Switch Operation**

Allowing either two computer ports or terminals and two modems to be crossed over.

**NSGDatacom**

[www.nsgdata.com](http://www.nsgdata.com)

3863 Centerview Drive  
Chantilly, VA, 20151-3232 USA  
Phone: +(1) 703 793 2000  
Fax: +(1) 703 793 2001

7435 New Technology Way  
Frederick, MD, 21703 USA  
Phone: +(1) 301 662 5926  
Fax: +(1) 301 694 6279

The Brackens, London Road  
Ascot, Berkshire SL5 8BE, UK  
Phone: +(44) 1344 893 000  
Fax: +(44) 1344 891 990